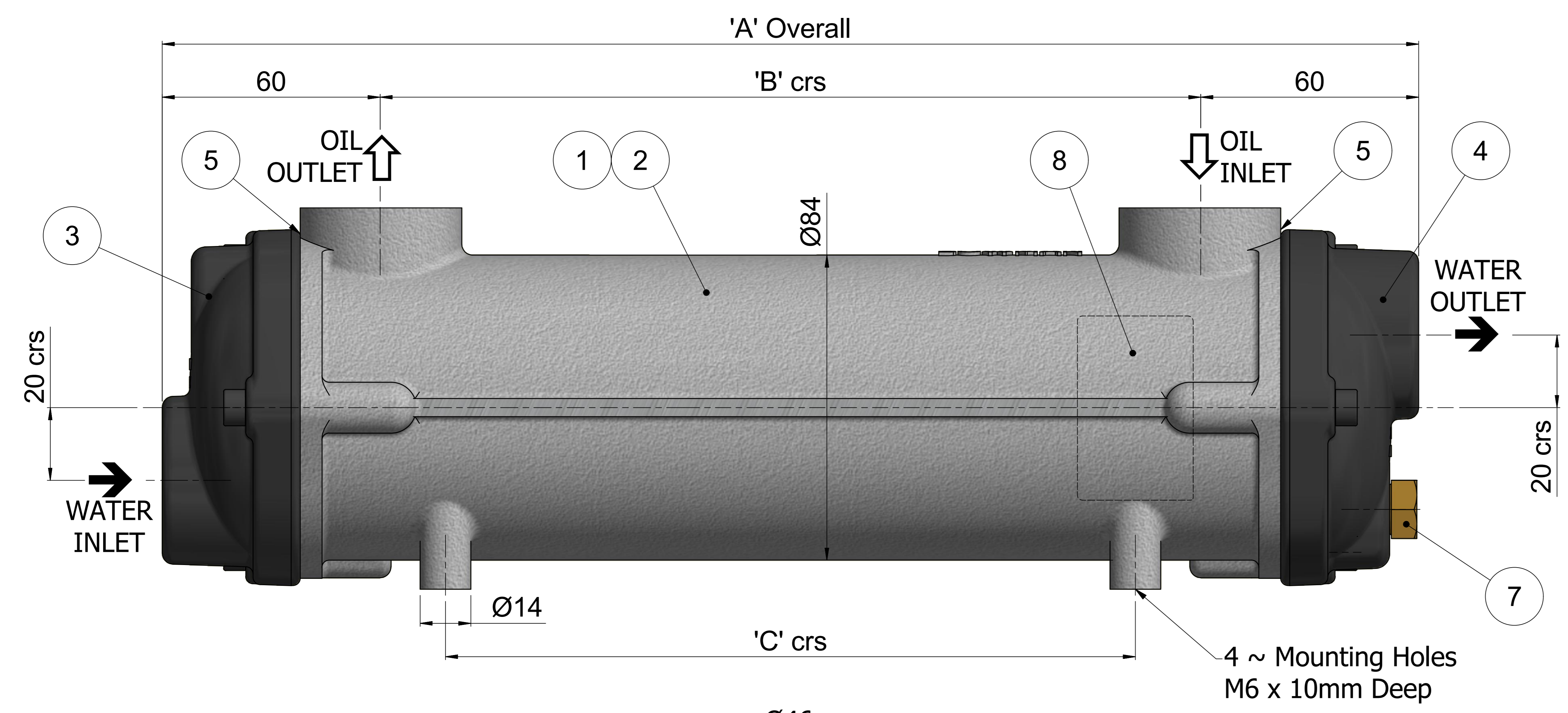
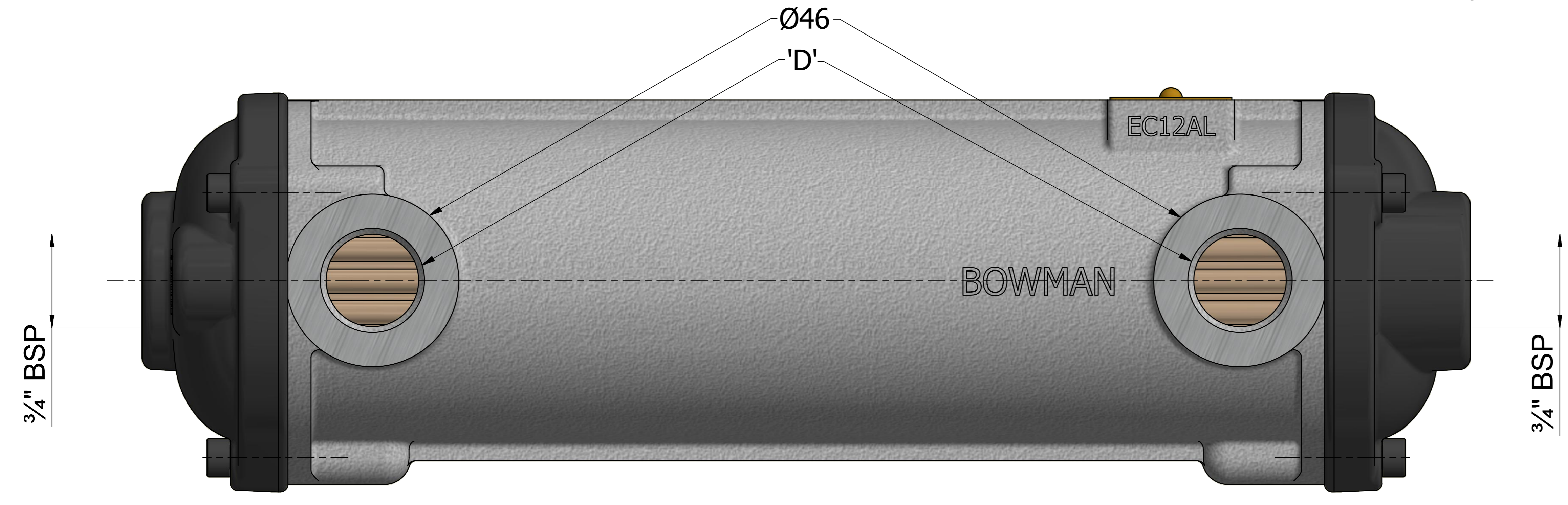
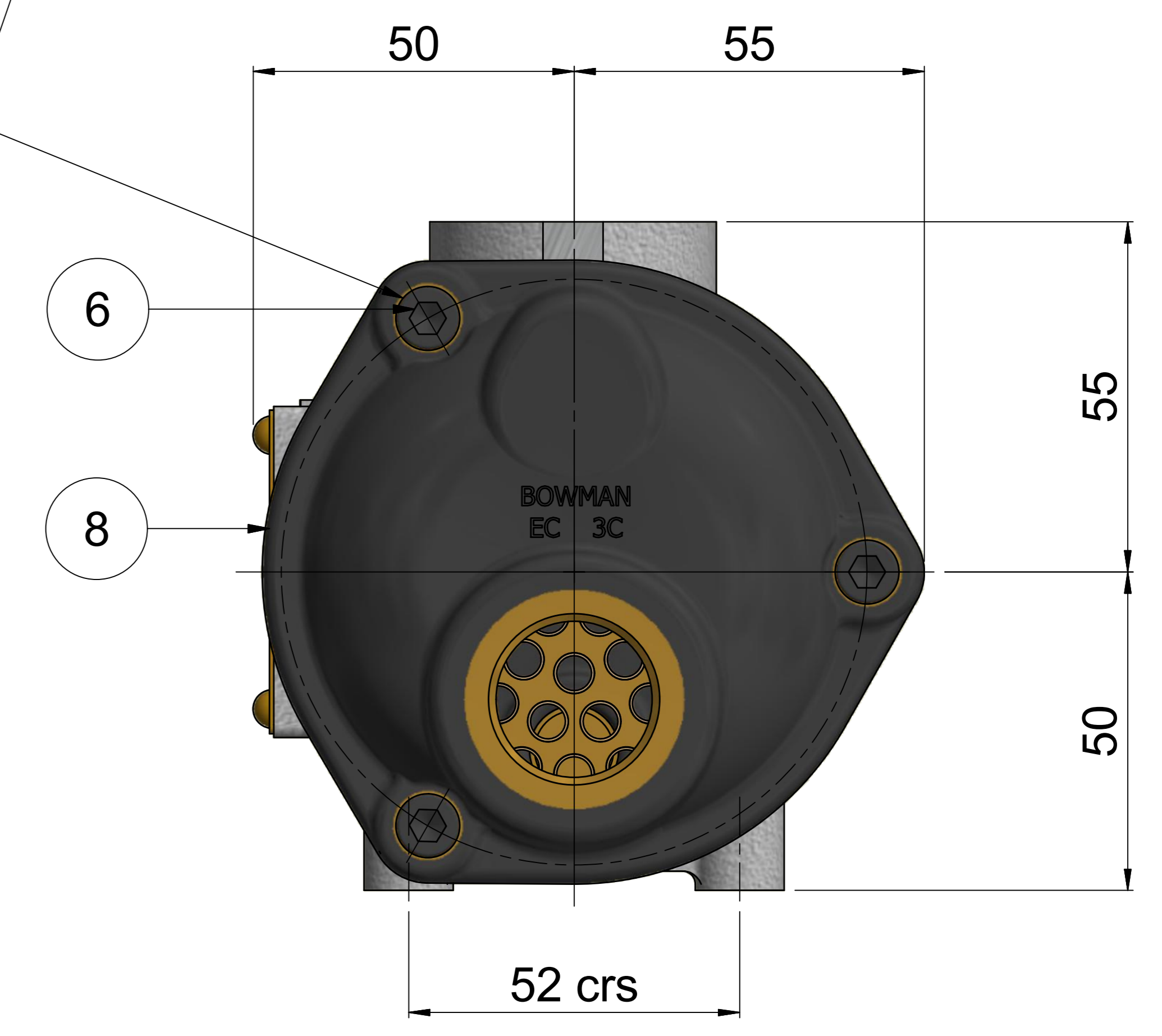


ISS No	MODIFICATION	DATE	SIGN
2	End Covers Now Composite EC3C (Was DZR Brass EC3), Part Numbers Added To BoM, Socket Screws Now Delta-Protekt, Weight Added To Dimensions Table	18.05.16	J. Swain

THIS DRAWING IS STRICTLY PRIVATE AND CONFIDENTIAL AND IS THE SOLE PROPERTY OF E.J. BOWMAN (BIRMINGHAM) LTD. IT IS SUBJECT TO BOTH COPYRIGHT AND DESIGN RIGHT PROTECTION. ANY REPRODUCTION OF THIS DRAWING IN PART OR WHOLE SHALL BE MADE ONLY WITH THE WRITTEN CONSENT OF A DIRECTOR OF THE COMPANY.



3 ~ Socket Screws M6 x 30mm Long Each End, Removal Of These Will Enable The End Cover And Tube Stack To Be Removed. Screw Tightening Torque - 8Nm



Part Number	Type Number	'A'	'B'	'C'	'D'	Weight
EC080-3875-1	EC080-1	174	60	60	1/2" BSP	1.7Kg
EC100-3875-2	EC100-2	260	140	104	3/4" BSP	2.5Kg
EC120-3875-3	EC120-3	346	226	190	3/4" BSP	3.15Kg
EC140-3875-4	EC140-4	444	324	288	3/4" BSP	3.9Kg
EC160-3875-5	EC160-5	572	452	416	3/4" BSP	5Kg

Part No.	Drg No.	Qty	Description	Item	Material
3594	3594	1	NAME PLATE	8	Brass
915B	915	1	DRAIN PLUG - 1/4" BSP	7	Brass
HS06X30DP	-	6	SOCKET SCREW - M6 x 30mm (Delta-Protekt)	6	Mild Steel
AN12NT	3297	2	'O' RING SEAL	5	Nitrile
EC003C-5480-DR	5480	1	EC3C END COVER - 3/4" BSP - WITH DRAIN	4	Composite
EC003C-5480	5480	1	EC3C END COVER - 3/4" BSP - WITHOUT DRAIN	3	Composite
785-5TN1A	785-5	1	TUBE STACK EC160 - NF	2	CN 90/10
785-4TN1A	785-4	1	TUBE STACK EC140 - NF	2	CN 90/10
785-3TN1A	785-3	1	TUBE STACK EC120 - NF	2	CN 90/10
785-2TN1A	785-2	1	TUBE STACK EC100 - NF	2	CN 90/10
785-1TN1A	785-1	1	TUBE STACK EC80 - NF	2	CN 90/10
EC016-783-5AL	783-5	1	EC16 BODY (EC160) - 3/4" BSP	1	Aluminium
EC014-783-4AL	783-4	1	EC14 BODY (EC140) - 3/4" BSP	1	Aluminium
EC012-783-3AL	783-3	1	EC12 BODY (EC120) - 3/4" BSP	1	Aluminium
EC010-783-2AL	783-2	1	EC10 BODY (EC100) - 3/4" BSP	1	Aluminium
EC021-978AL	978	1	EC21 BODY (EC80) - 1/2" BSP	1	Aluminium

NF - Normal Flow
Refer To Works Order For Variations



For Revision History Refer To Chart Drawing '4000'

ALL DIMENSIONS ARE IN MILLIMETRES

E.J.BOWMAN (BIRMINGHAM) LTD.		
Chester Street Birmingham B6 4AP England Tel: +44(0) 121 359 5401 Fax: +44(0) 121 359 7495 email: info@ejbowman.co.uk www.ejbowman.co.uk		
DRAWN:	J. SWAIN	TITLE:
DATE:	14/03/2014	EC Range of 3Pass
REDRAWN:		H.Exch (Composite)
DATE:		DRG No:
CHECKED:		3875
SCALE:	1.5:1	